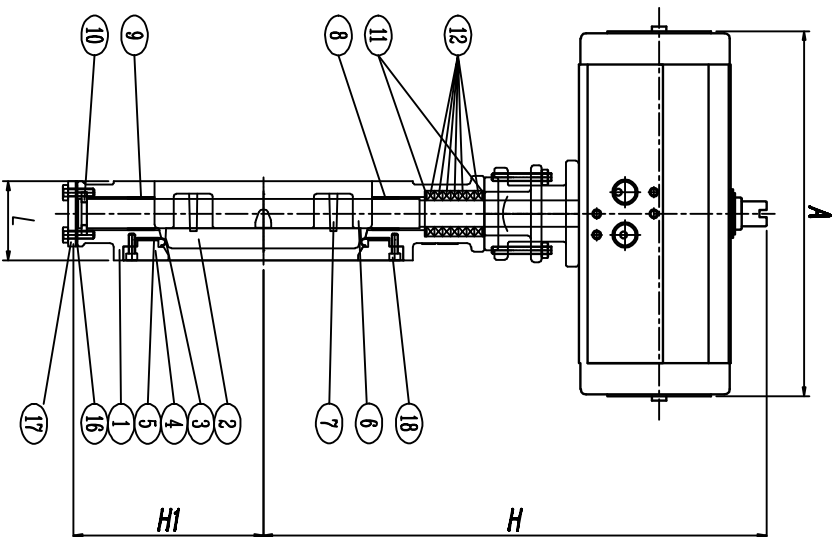
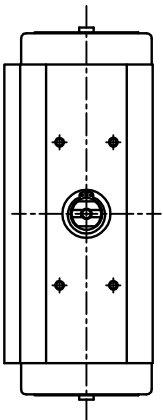
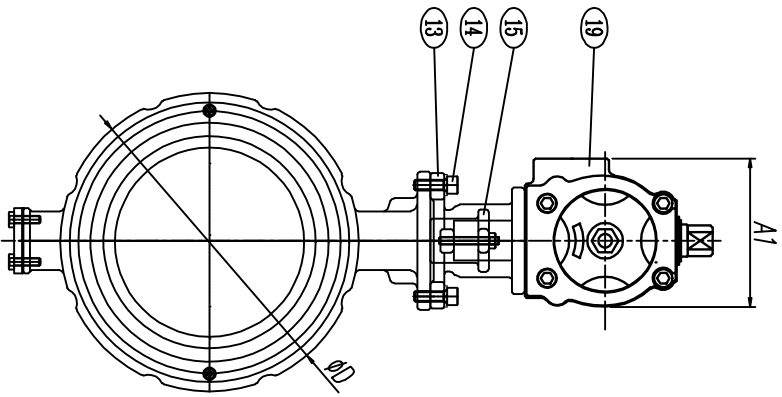


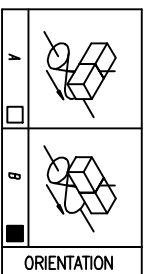
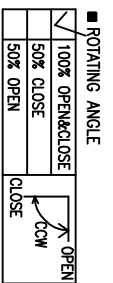
17-1

FOR APPROVAL



NO.	PART NAME	QTY	MATERIAL	REMARK
1	BODY	1	SCS13	
2	DISC	1	SCS13	
3	SEAT	1	INCONEL	
4	CAP	1	SCS13	MAX 500°C
5	GASKET	1SET	GRAPHITE	
6	STEM	1	SUS304	
7	DISC PIN	2	SUS	
8	STEM UPPER BEARING	1	SUS	
9	STEM LOWER BEARING	1	SUS	
10	STEM STOPPER RING	1SET	BRASS	
11	WASHER	2	SUS304	
12	GLAND PACKING	1SET	GRAPHITE	
13	BRACKET	1	SCS13	
14	BRACKET BOLT	4	SUS	
15	GLAND FLANGE	1	SCS13	
16	GASKET	1	ASBESTOS	
17	LOW COVER	1	SUS304	
18	CAP BOLT	2	SUS	
19	ACTUATOR	1	TD	KOREANV
20				
21				
22				

TAG NO.



Rev.	Date	Description	Pre'd	Che'd	App'd

Designed by _____ Checked by _____
 C.L. NAM

Title
HIGH-PERFORMANCE BUTTERFLY VALVE

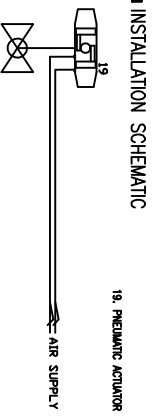
Model
TD50-40HBF ~ TD80-150HBF

Drawing no. A110218-02-13
 Size A4
 Scale N:S
 Unit mm



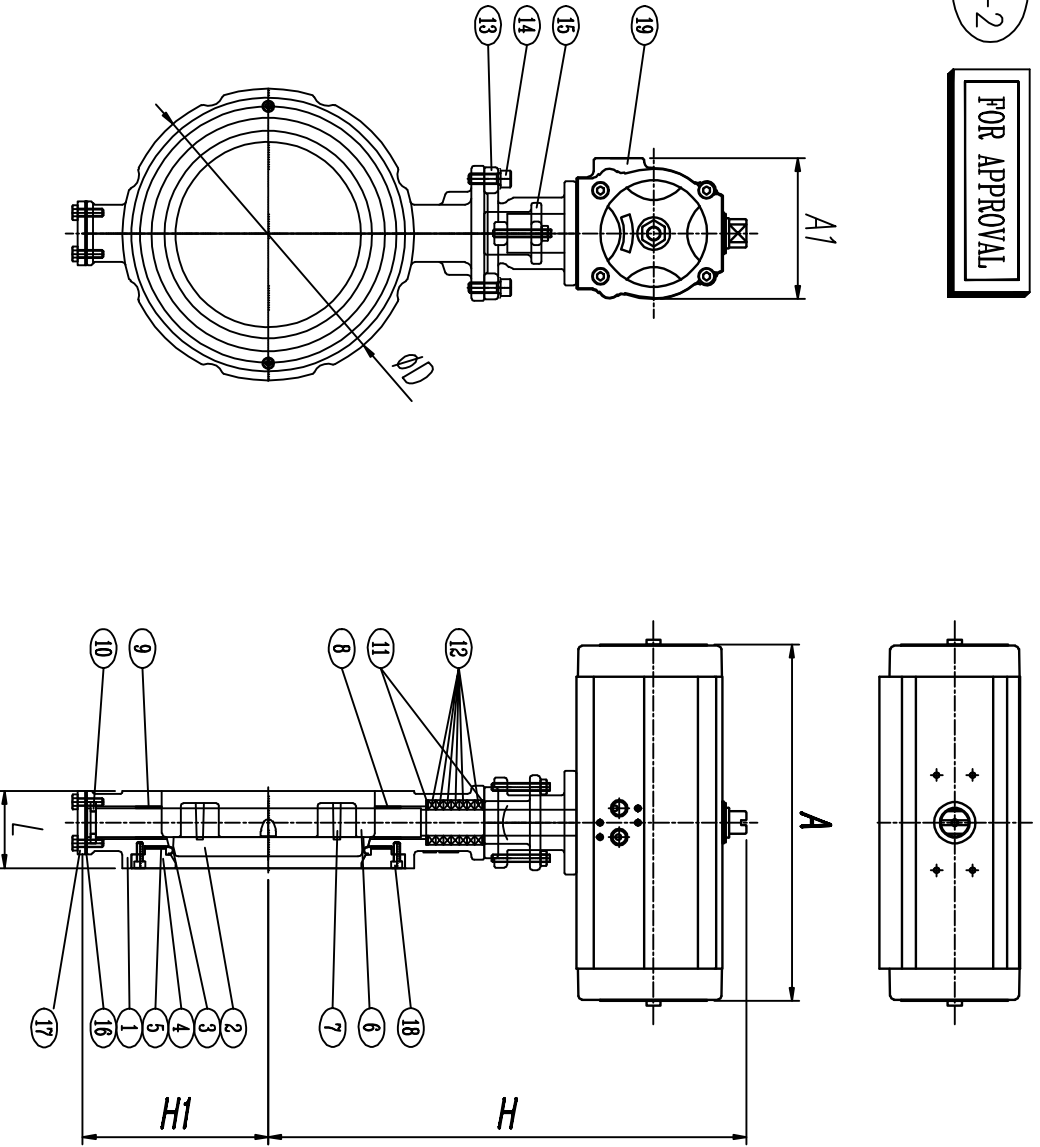
■ DIMENSION (mm)

MODEL	QTY	ACTUATOR		H	H1	LH1.6	END CONNECTION	(Min. WAL. THICKNESS)	WEIGHT (APPROX.)
		A	A1				D	+	
TD50-40HBF	-	162	73	230	73	43	86	-	-
TD50-50HBF	-	162	73	237	81	44	100	-	-
TD65-65HBF	-	204	83	247	83	46	120	-	-
TD65-80HBF	-	204	83	271	87	46	132	-	-
TD65-100HBF	-	204	83	287	111	52	164	-	-
TD80-125HBF	-	246	99	326	121	57	194	-	-
TD80-150HBF	-	246	99	349	145	62	225	-	-



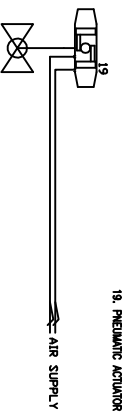
17-2

FOR APPROVAL

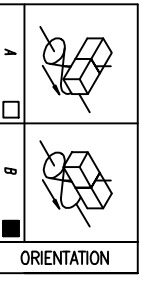


MODEL	QTY	ACTUATOR		H	H1	LH.1.6	END CONNECTION	(Min. WAL. THICKNESS)	WEIGHT (APPROX.)
		A	A1						
DIMANSSION (mm)									
TD160-450HBF	-	540	177	700	370	115	534	-	-
TD160-400HBF	-	540	177	654	340	115	470	-	-
TD140-350HBF	-	456	158	600	309	93	420	-	-
TD125-300HBF	-	414	136	550	279	96	389	-	-
TD100-250HBF	-	296	118	459	220	87	337	-	-
TD100-200HBF	-	296	118	442	180	72	275	-	-

INSTALLATION SCHEMATIC



NO.	PART NAME	QTY	MATERIAL	REMARK
1	BODY	1	SCS13	
2	DISC	1	SCS13	
3	SEAT	1	INCONEL	
4	CAP	1	SCS13	MAX 500°C
5	GASKET	1SET	GRAPHITE	
6	STEM	1	SUS304	
7	DISC PIN	2	SUS	
8	STEM UPPER BEARING	1	SUS	
9	STEM LOWER BEARING	1	SUS	
10	STEM STOPPER RING	1SET	BRASS	
11	WASHER	2	SUS304	
12	GLAND PACKING	1SET	GRAPHITE	
13	BRACKET	1	SCS13	
14	BRACKET BOLT	4	SUS	
15	GLAND FLANGE	1	SCS13	
16	GASKET	1	ASBESTOS	
17	LOW COVER	1	SUS304	
18	CAP BOLT	2	SUS	
19	ACTUATOR	1	TD	KOREANV
20				
21				
22				



Rev.	Date	Description	Pre.d	Che.d	App.d

Designed by: _____
Checked by: _____
Approved by: _____

Title: HIGH-PERFORMANCE BUTTERFLY VALVE

Model: TD100-200HBF ~ TD160-450HBF

Drawing no. A110218-02-13 Size: A4 Scale: N:S Unit: mm

ht:tp://www.taesung.co.kr